



## USER INSTRUCTIONS

# IN BETWEEN SK5 & SK6

BY SAMI KALLIO  
2015

Congratulations on choosing this original In Between table, designed in 2015 by Sami Kallio. We hope you will enjoy using this product and follow these instructions to ensure correct assembly. If you have any questions or comments, please do not hesitate to contact us by mail on:

[info@andtradition.com](mailto:info@andtradition.com)

## CONTENTS

- |                                       |                                      |
|---------------------------------------|--------------------------------------|
| A - Table top                         | E - Set screw × 8 (SK5) / × 16 (SK6) |
| B - Trestle × 2                       | F - Screws × 20 (SK5 & SK6)          |
| C - Barrel nut × 8 (SK5) / × 16 (SK6) | G - Small Allen key                  |
| D - Metal dowel × 4 (SK5) / × 8 (SK6) | H - Large Allen key                  |

Unpack the table and ensure all parts pictured are included.

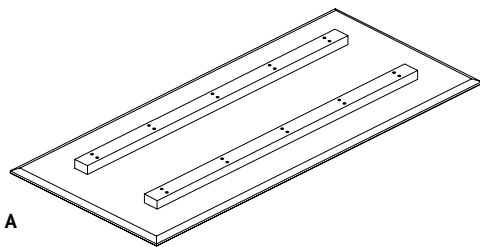
Please read these instructions carefully and retain them for future reference to ensure that the table is used correctly. For your own safety, please study each step of this instruction manual. &tradition is not responsible for any faults or damages caused by not following these instructions correctly.

## SAFETY PRECAUTIONS

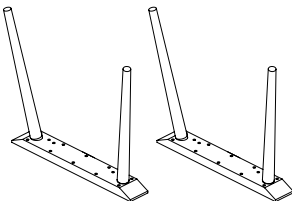
- Dispose of plastic bag from packaging and do not allow children to play with it.
- The table is only intended for interior use.
- Handle table tops with care in order not to scratch surfaces.
- Power tools can be used to assemble the table. Be careful not to overtighten or damage screw or thread.
- Two or more persons are needed to turn table around once assembled.

## CLEANING INSTRUCTIONS

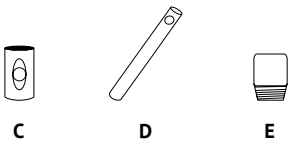
- For daily care, dust table with a soft dry cloth.
- Cleaning can be done using a soft cloth wrung in lukewarm water following the wood grains and dried immediately with a soft cloth, also following the wood grains.
- Avoid use of cleaning detergents and abrasive cleaning agents as they may damage the surface of the oiled wood. Avoid placing wooden furniture in direct sunlight, excessive heat or humidity.



A



B



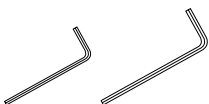
C

D

E

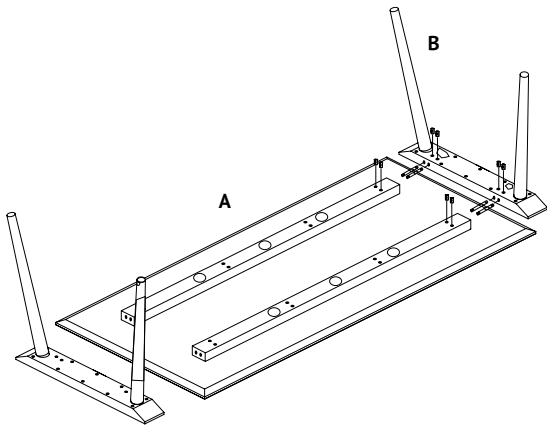


F



G

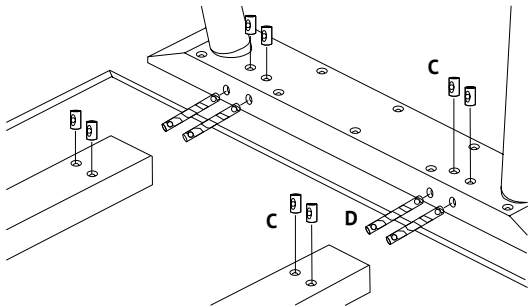
H



## STEP 1

Place the table top (A) upside down on a soft, flat surface.

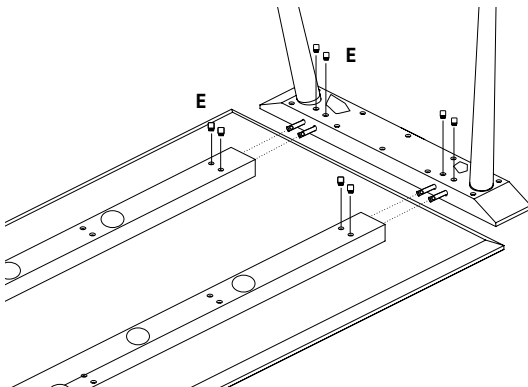
Turn the trestle (B) upside down and align holes with the corresponding holes in crossbeam.



## STEP 2

Insert barrel nuts (C) (thread side upwards) into the 8 holes (or 4 in the case of SK5) in crossbeam and trestle (B).

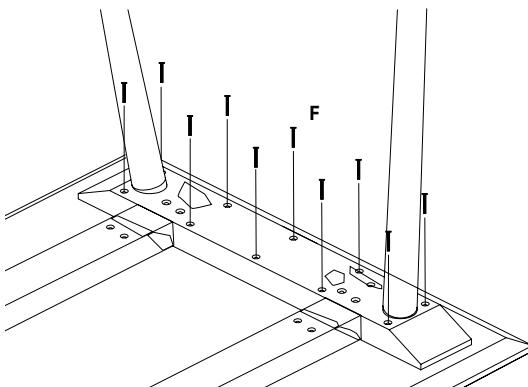
Insert metal dowels (D) (coned hole facing up) into corresponding holes.



## STEP 3

Insert set screws (E) into barrel nuts (C) and fasten loosely with large Allen Key (H) so that all parts are held in position but not yet fully tightened.

Repeat step 3 on table top (A).



## STEP 4

Place screws (F) into the appointed holes on the trestle (B) and fasten with small Allen Key (G).

Tighten set screws (E) with large Allen Key (H).

Repeat step 1-4 in opposite end of table.



## USER INSTRUCTIONS

# IN BETWEEN CUSTOMISED RECTANGULAR

BY SAMI KALLIO  
2015

Congratulations on choosing this original In Between table, designed in 2015 by Sami Kallio. We hope you will enjoy using this product and follow these instructions to ensure correct assembly. If you have any questions or comments, please do not hesitate to contact us by mail on:

[info@andtradition.com](mailto:info@andtradition.com)

## CONTENTS

- |                 |                     |
|-----------------|---------------------|
| A - Table top   | E - Set screw       |
| B - Trestle     | F - Screws          |
| C - Barrel nut  | G - Small Allen key |
| D - Metal dowel | H - Large Allen key |

Unpack the table and ensure all parts pictured are included.

**Please read these instructions carefully and retain them for future reference to ensure that the table is used correctly. For your own safety, please study each step of this instruction manual. &tradition is not responsible for any faults or damages caused by not following these instructions correctly.**

## SAFETY PRECAUTIONS

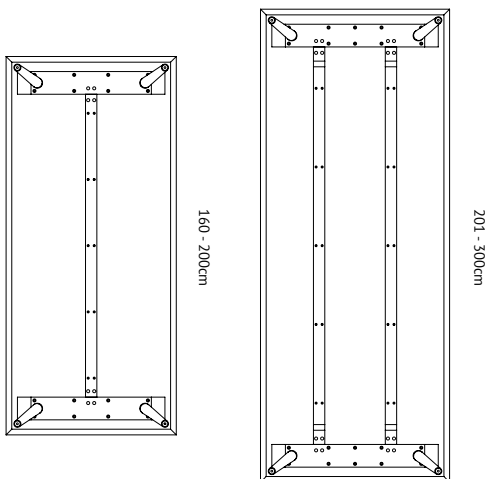
- Dispose of plastic bag from packaging and do not allow children to play with it.
- The table is only intended for interior use.
- Handle table tops with care in order not to scratch surfaces.
- Power tools can be used to assemble the table. Be careful not to overtighten or damage screw or thread.
- Two or more persons are needed to turn table around once assembled.

## CLEANING INSTRUCTIONS

- For daily care, dust table with a soft dry cloth.
- Cleaning can be done using a soft cloth wrung in lukewarm water following the wood grains and dried immediately with a soft cloth, also following the wood grains.
- Avoid use of cleaning detergents and abrasive cleaning agents as they may damage the surface of the oiled wood. Avoid placing wooden furniture in direct sunlight, excessive heat or humidity.

## INSTRUCTIONS

- Follow steps 1-4, as shown on page 2.
- Please note that tables up to 200 cm in length have a single crossbeam, while tables of more than 200 cm have two crossbeams beneath the table top.



160 - 200cm

201 - 300cm



## USER INSTRUCTIONS

# IN BETWEEN CUSTOMISED ROUND

BY SAMI KALLIO  
2015

Congratulations on choosing this original In Between table, designed in 2015 by Sami Kallio. We hope you will enjoy using this product and follow these instructions to ensure correct assembly. If you have any questions or comments, please do not hesitate to contact us by mail on:

[info@andtradition.com](mailto:info@andtradition.com)

## CONTENTS

- A - Table top
- B - Table leg × 3 (Ø 90 - 99 cm) / × 4 (Ø 100 - 150 cm)
- C - Screw × 12 (Ø 90 - 99 cm) / × 16 (Ø 100 - 150 cm)
- D - Allen Key

Unpack the table and ensure all parts pictured are included.

Please read these instructions carefully and retain them for future reference to ensure that the table is used correctly. For your own safety, please study each step of this instruction manual. &tradition is not responsible for any faults or damages caused by not following these instructions correctly.

## SAFETY PRECAUTIONS

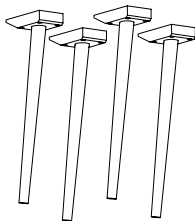
- Dispose of plastic bag from packaging and do not allow children to play with it.
- The table is only intended for interior use.
- Handle table tops with care in order not to scratch surfaces.
- Power tools can be used to assemble the table. Be careful not to overtighten or damage screw or thread.
- Two or more persons are needed to turn table around once assembled.

## CLEANING INSTRUCTIONS

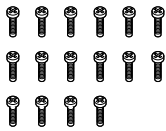
- For daily care, dust table with a soft dry cloth.
- Cleaning can be done using a soft cloth wrung in lukewarm water following the wood grains and dried immediately with a soft cloth, also following the wood grains.
- Avoid use of cleaning detergents and abrasive cleaning agents as they may damage the surface of the oiled wood. Avoid placing wooden furniture in direct sunlight, excessive heat or humidity.



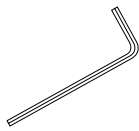
A



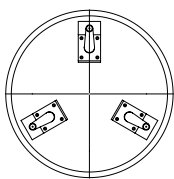
B



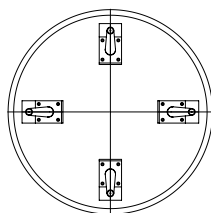
C



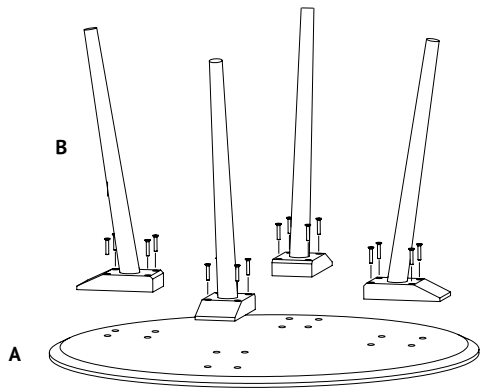
D



90 - 99cm



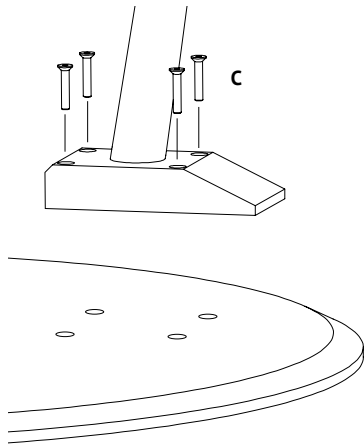
100 - 150cm



## STEP 1

Place table top (A) upside down. Please make sure to place table top on soft surface, so that table top will not be damaged during assembly.

Place legs (B) on table top, aligning each leg with all four holes as illustrated.



## STEP 2

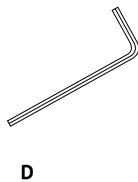
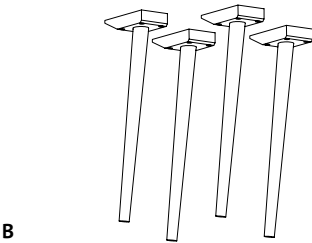
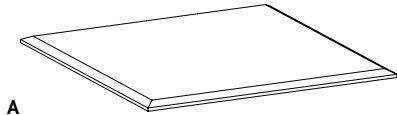
Place the screws (C) in the appointed holes and fasten with Allen Key (D)

Repeat the task for the remaining legs (B).

## USER INSTRUCTIONS

# IN BETWEEN CUSTOMISED SQUARE

BY SAMI KALLIO  
2015



**Congratulations on choosing this original In Between table, designed in 2015 by Sami Kallio. We hope you will enjoy using this product and follow these instructions to ensure correct assembly. If you have any questions or comments, please do not hesitate to contact us by mail on:**

**[info@andtradition.com](mailto:info@andtradition.com)**

## CONTENTS

- A - Table top
- B - Table leg × 4
- C - Screw × 16
- D - Allen Key

Unpack the table and ensure all parts pictured are included.

**Please read these instructions carefully and retain them for future reference to ensure that the table is used correctly. For your own safety, please study each step of this instruction manual. &tradition is not responsible for any faults or damages caused by not following these instructions correctly.**

## SAFETY PRECAUTIONS

- Dispose of plastic bag from packaging and do not allow children to play with it.
- The table is only intended for interior use.
- Handle table tops with care in order not to scratch surfaces.
- Power tools can be used to assemble the table. Be careful not to overtighten or damage screw or thread.
- Two or more persons are needed to turn table around once assembled.

## CLEANING INSTRUCTIONS

- For daily care, dust table with a soft dry cloth.
- Cleaning can be done using a soft cloth wrung in lukewarm water following the wood grains and dried immediately with a soft cloth, also following the wood grains.
- Avoid use of cleaning detergents and abrasive cleaning agents as they may damage the surface of the oiled wood. Avoid placing wooden furniture in direct sunlight, excessive heat or humidity.

## INSTRUCTIONS

- Follow steps 1-2, as shown on page 5.