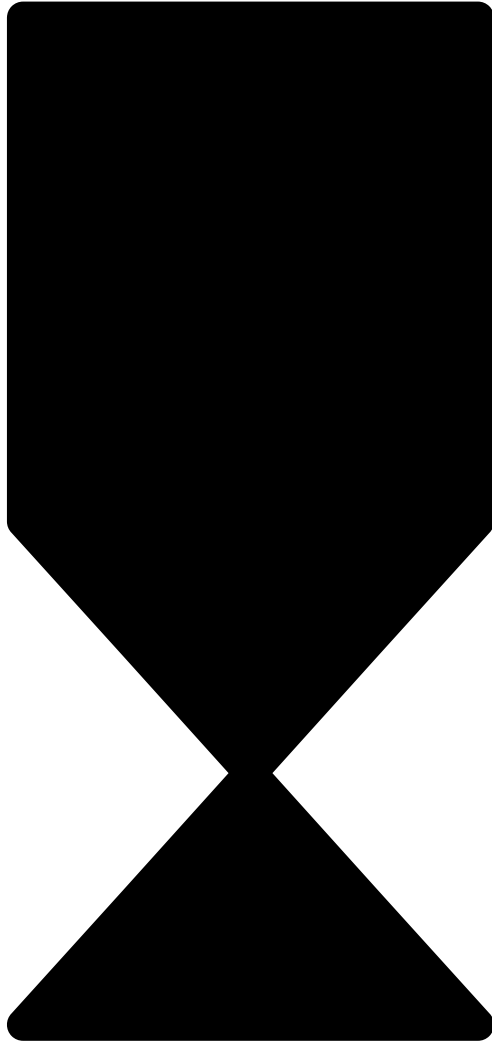


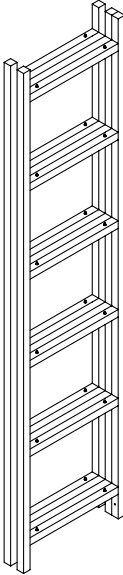

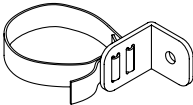
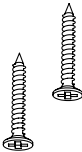

# Zig Zag Shelf



**Assembly  
Instruction**

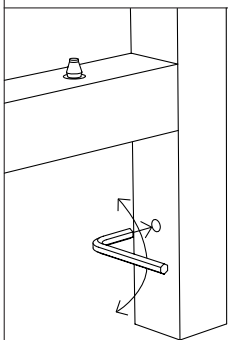
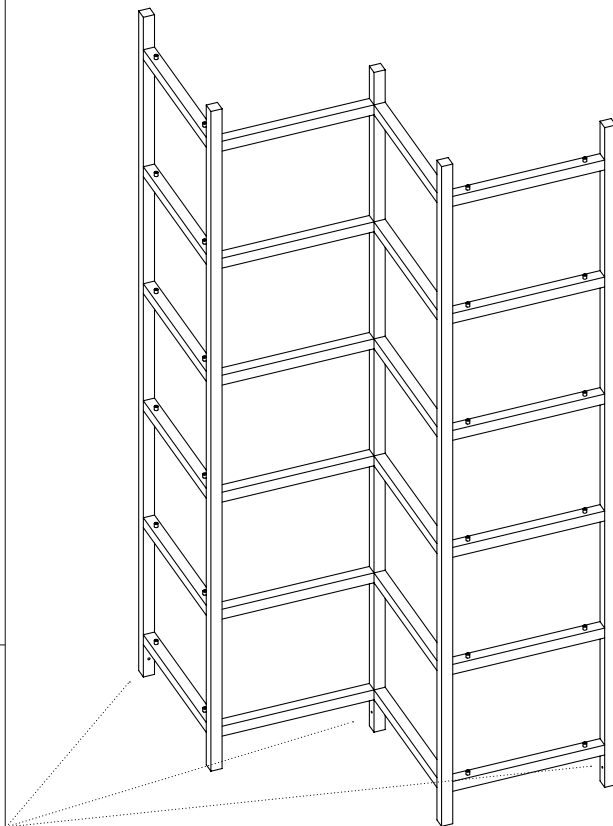
## Zig Zag Shelf

There is a pleasing visual rhythm to the Zig Zag Shelf: its grid-like frame effortlessly creates an elegant semblance of order, making whatever you choose to place on it feel instantly arranged and considered. Designers Studio deForm invented a system of construction that enables you, the end user, to assemble Zig Zag without tools. An innovative hidden folding hinge allows the flat-packed shelves to simply stretch into shape like an accordion—ready for use in record time.

Parts		
		
1 × Shelving frame	6 × Shelves	
		
2 × Straps	2 × Screws	1 × Allen key

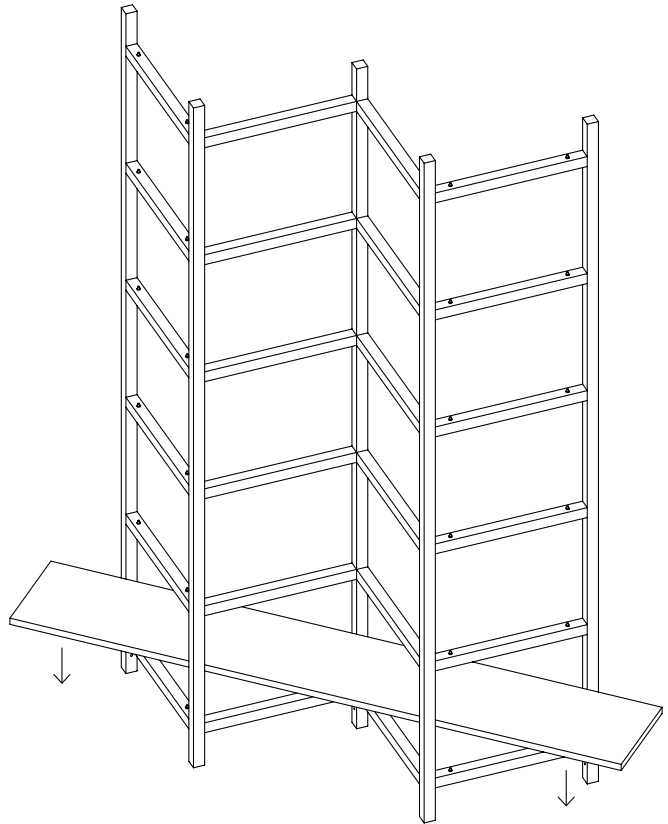
**Step 1**

Spread the shelving frame.  
Use the allen key to adjust  
the legs. Make sure the frame  
stands straight.



**Step 2**

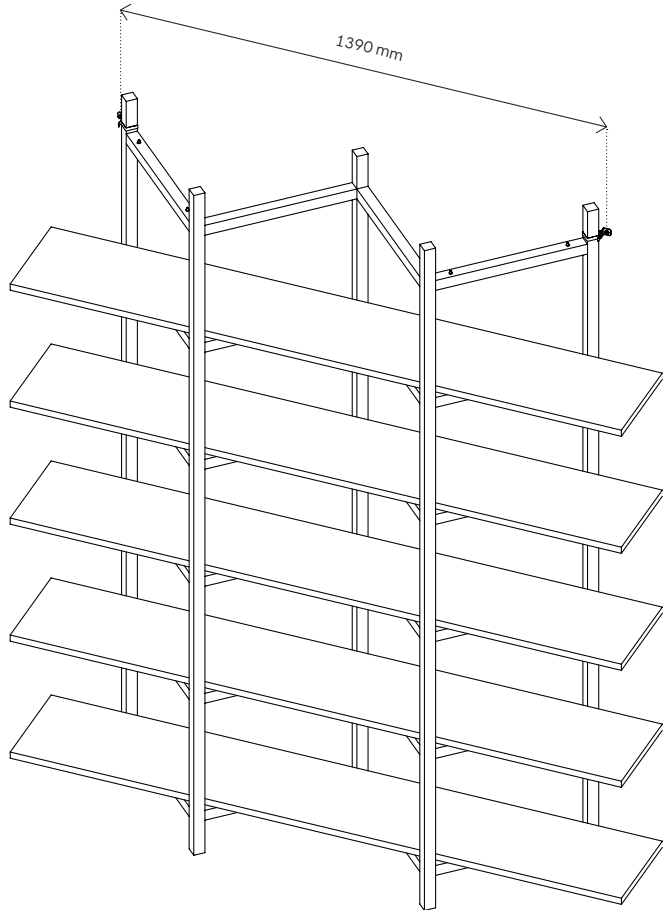
Place all shelves except for the top one. Make sure that all pins are firmly connected with the holes of the shelf.



### Step 3

**Important:** The shelf should always be firmly attached to the wall to avoid risk of tipping over!

Carefully follow the instructions on the next page when installing the wall mounting. Choose mounting plugs suitable for your wall material.



Screw holes for wall mounting.

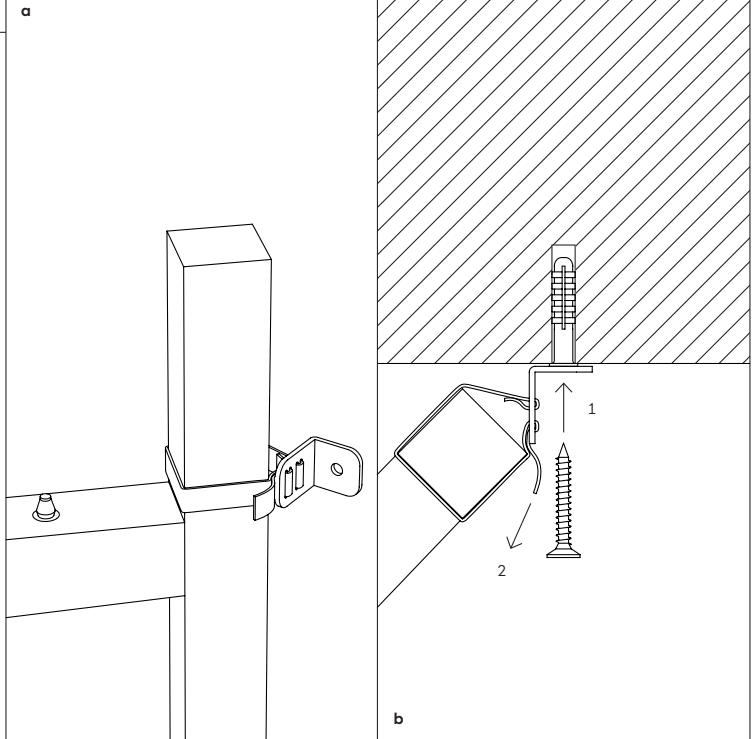
**Step 4**

**a**

Loop the strap around the top part of the shelving frame.

**b**

1. Screw the bracket to the wall as illustrated.
2. Pull the end of the cord to tighten the shelving firmly against the wall.

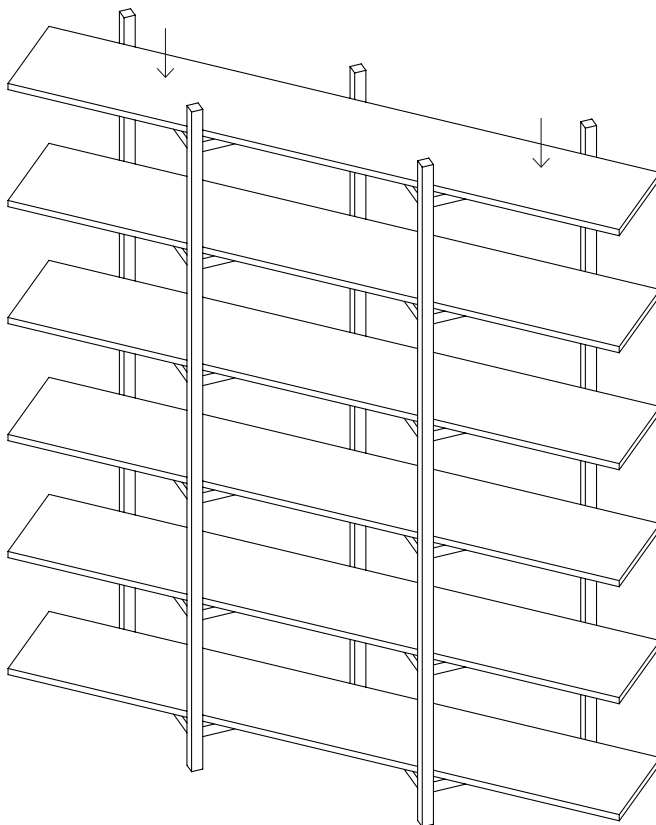


### Step 5

Place the top shelf.

**Note:** To avoid flex always load the shelves evenly. The maximum load per shelf is 40 kg evenly loaded. Never lean on the shelving.

Your Zig Zag Shelf is now fully assembled.



Should you have any problems assembling your product, contact us at [info@hem.com](mailto:info@hem.com). We're always happy to help!

We have carefully selected the materials used in this product, and ask you to treat it responsibly too.  
Please recycle all packaging according to your local disposal rules.

# Hem