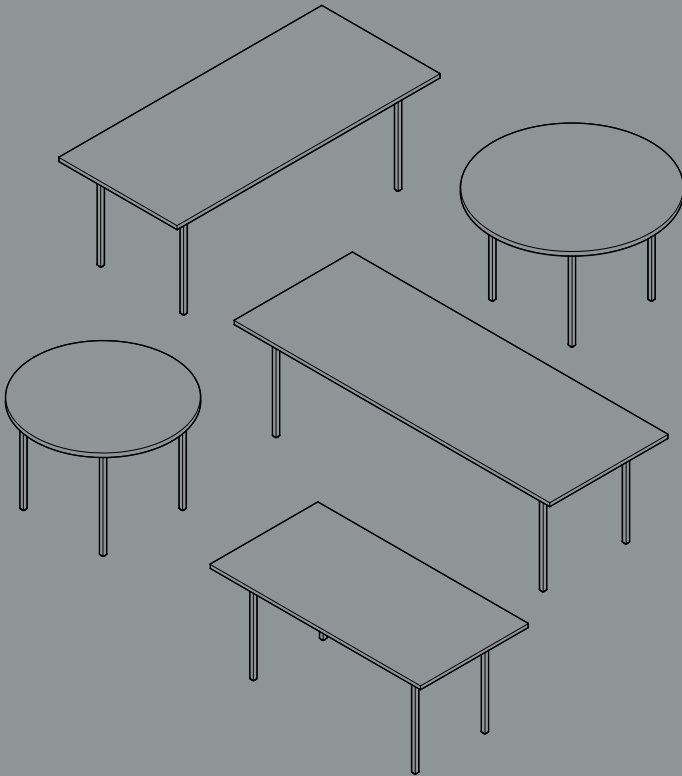


- INSTRUCTION MANUAL -

# TWO-COLOUR

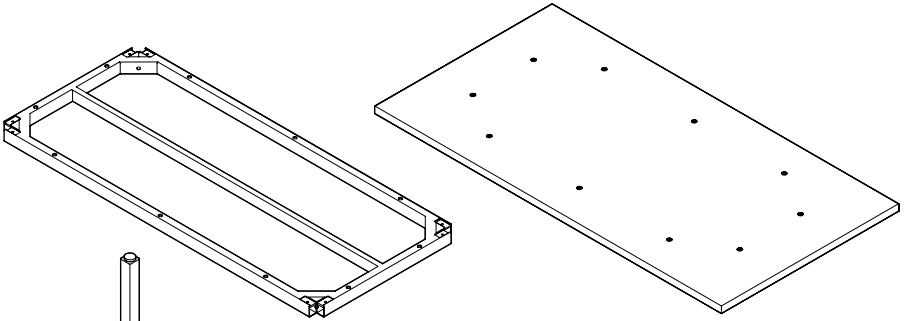


DESIGN BY MULLER VAN SEVEREN

# HAY



- PARTS -



**A** Frame x1

**H** Tabletop x1



**B** Leg x4



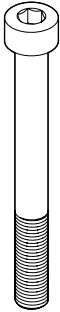
**C** Screw x8



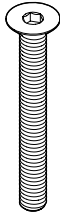
**D** Lock washer x4



**E** Washer x4



**F** Bolt x4



**G** Screw



**1** Allen key x1

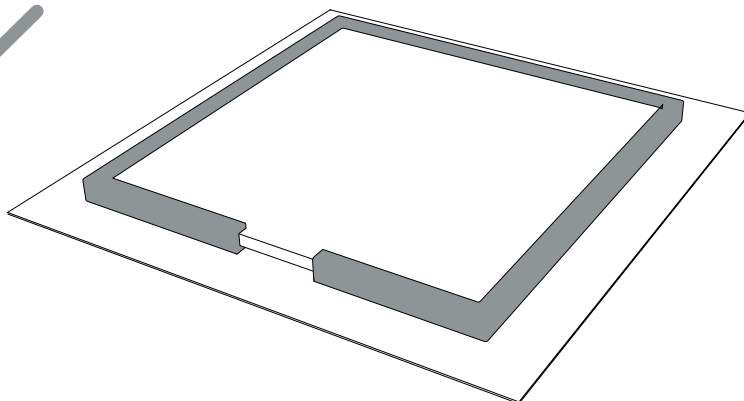
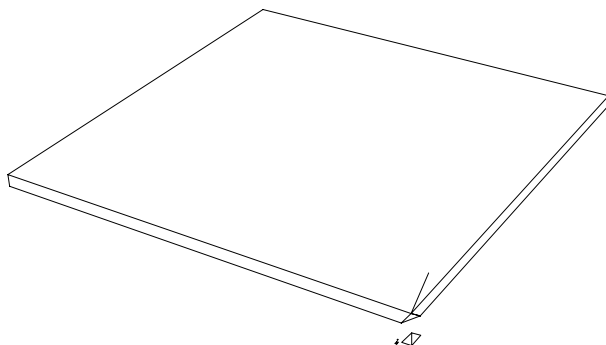


**2** Allen key x1

Ø105	x8
Ø120	x8
160x82	x10
200x90	x12
240x90	x14

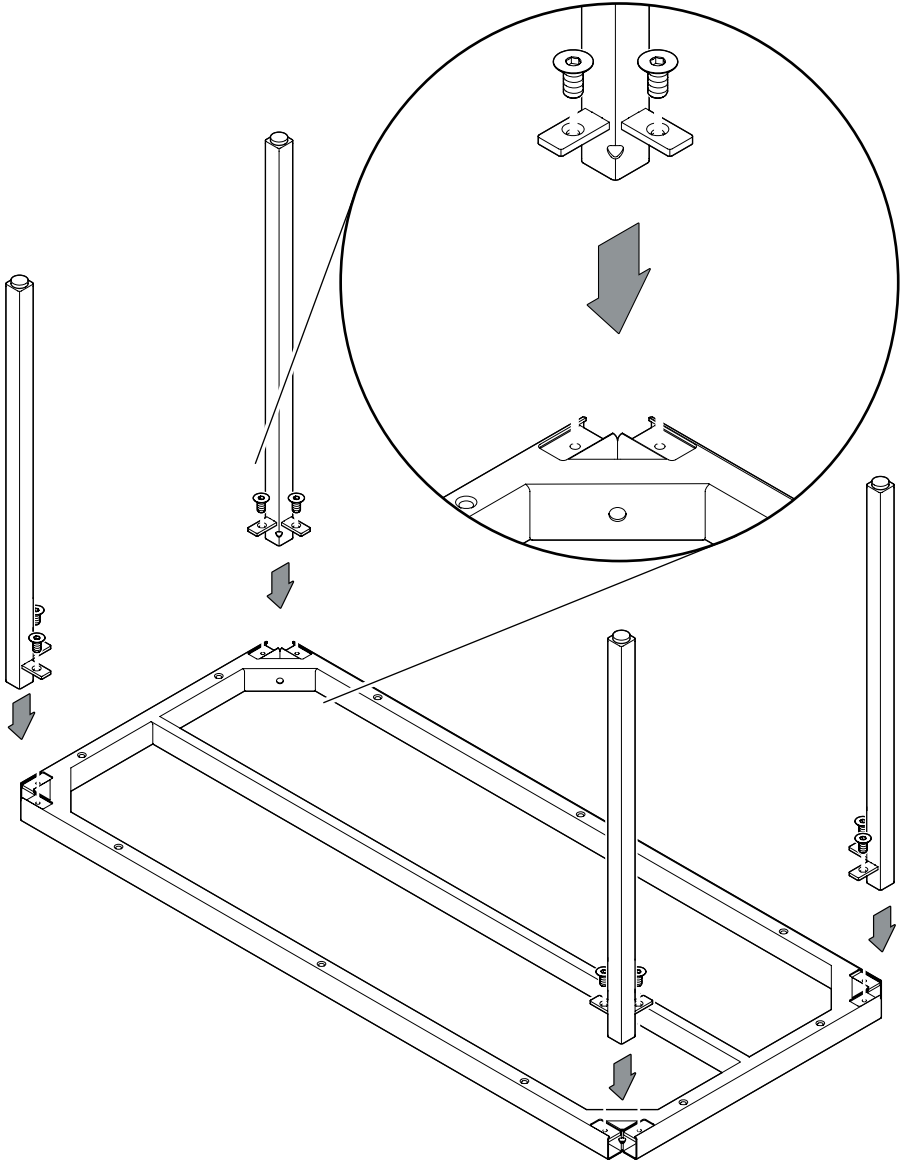
This instruction manual shows the 160 x 82 cm table.  
The same procedure applies to all sizes.

Protect the table top from scratches and other damage while assembling.



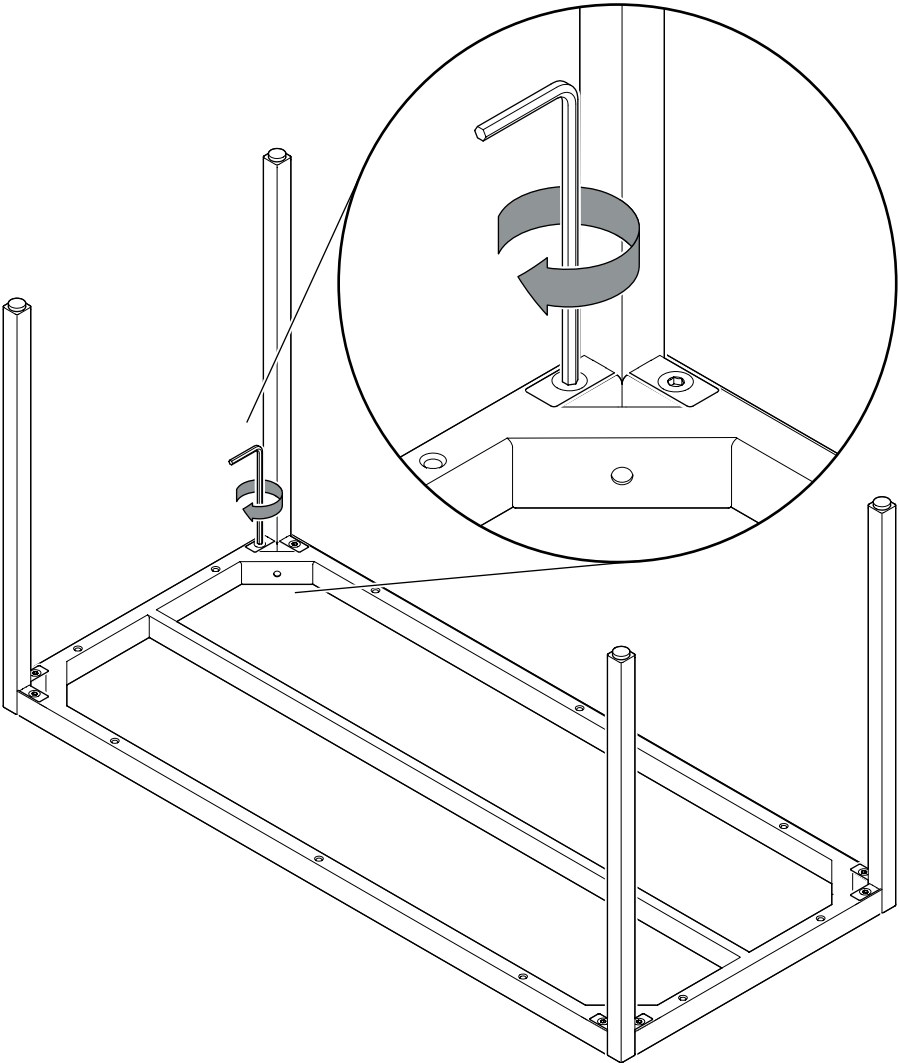
1.

Secure the legs **B** on the frame **A** as shown in the illustration below, using the screws **C**.



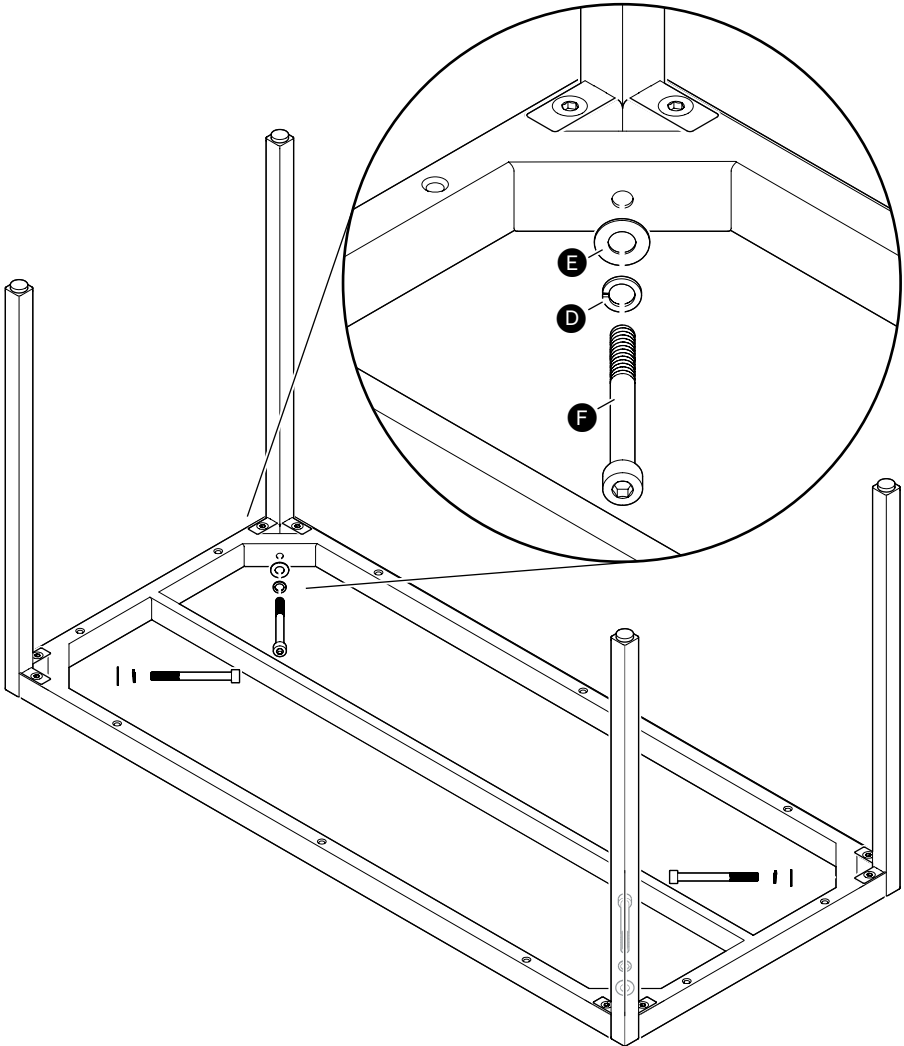
2.

Tighten the screws using the Allen key ①.



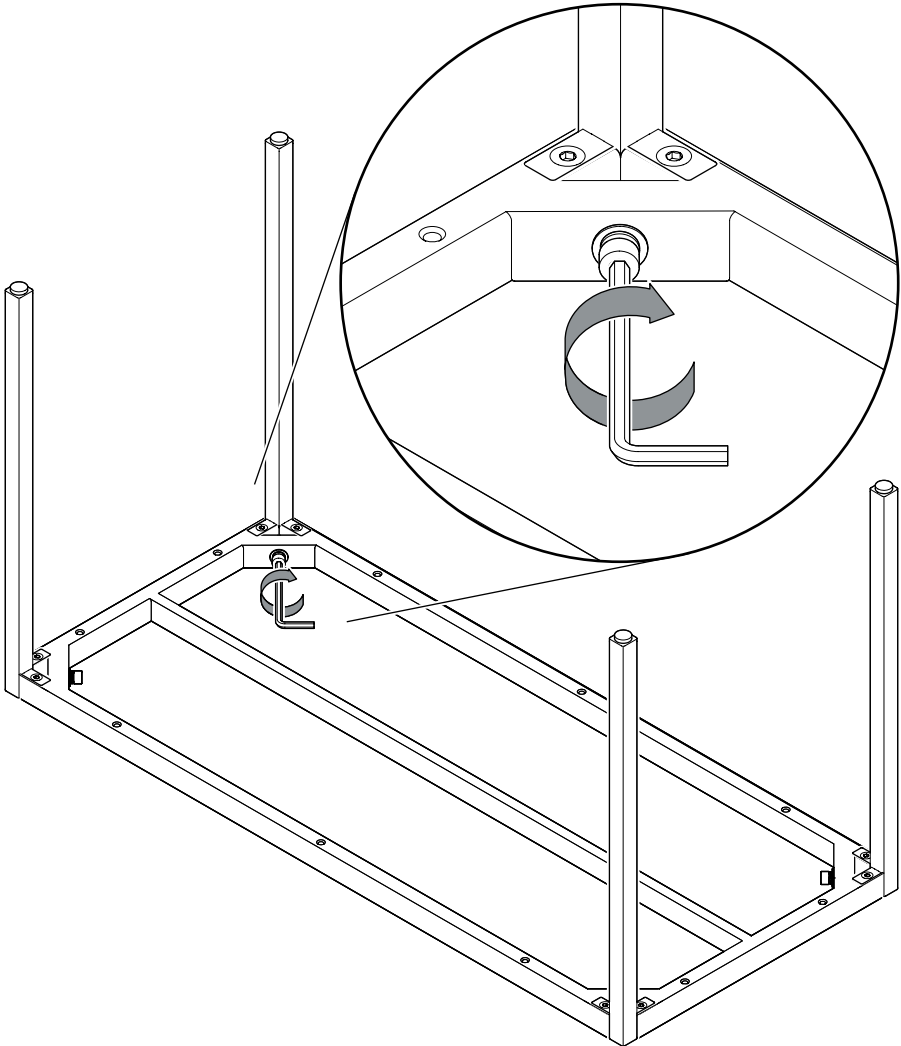
3.

Insert the bolt **F** in the corner holes in the frame. Make sure the washer **E** is closest to the frame, followed by the lock washer **D**.



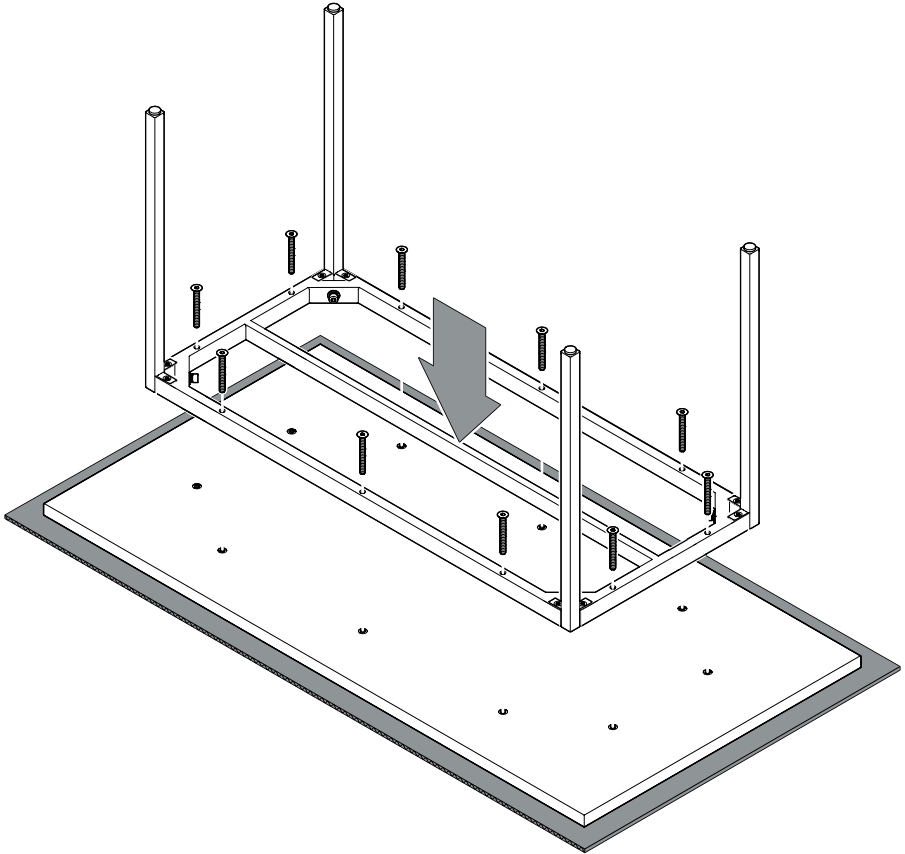
4.

Tighten the bolts using the Allen key ②.



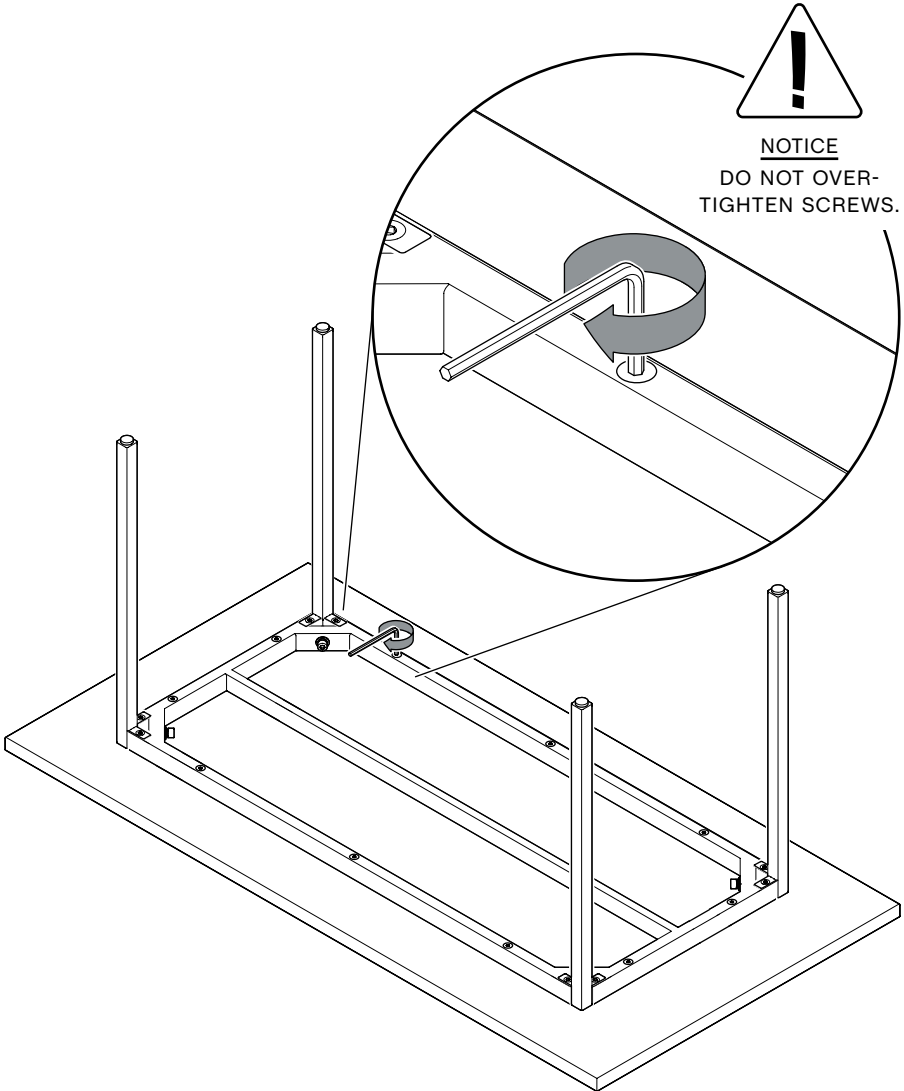
5.

Place the frame with legs on the table top **H**. Insert the screws **G** in the holes.



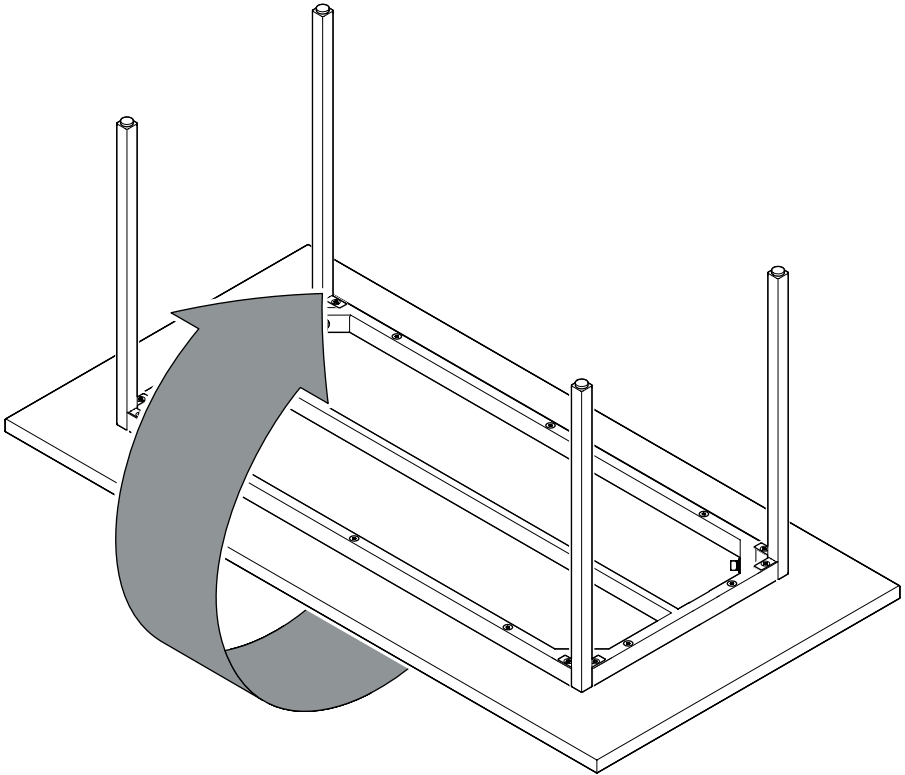
6.

Start by loosely tightening all the screws with the Allen key **1**.  
Then tighten all the screws completely.



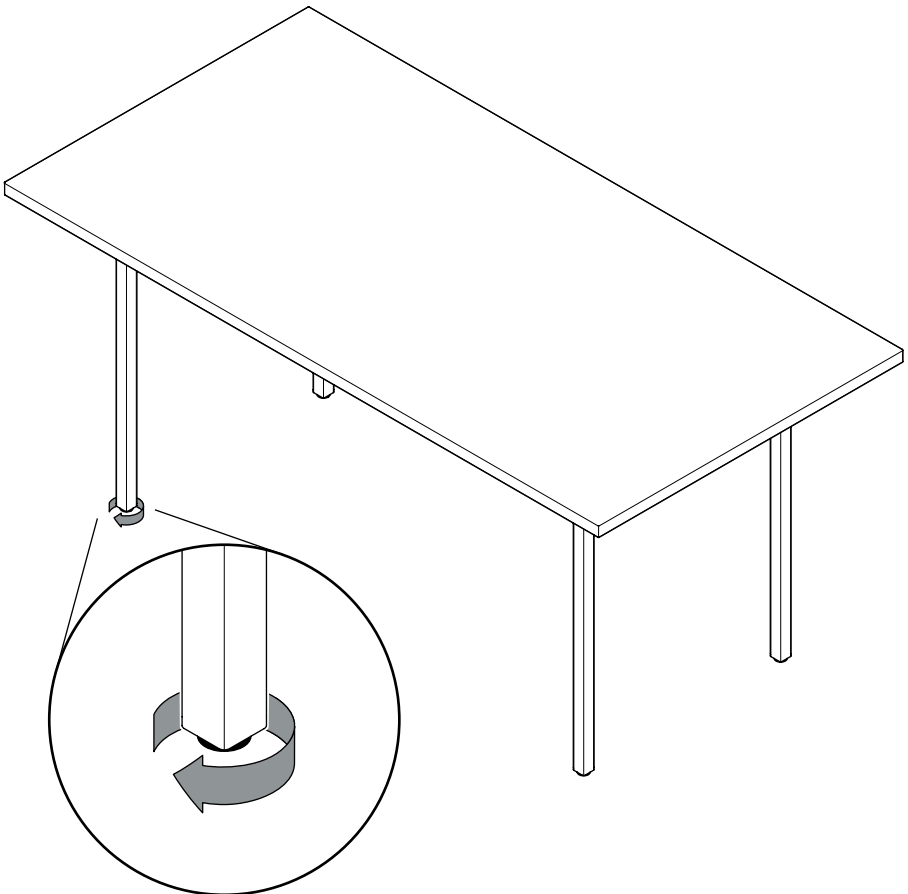
7.

Turn the table over (minimum two people are recommended).



8.

Once the table is standing upright, make sure it is stable.  
Adjust the feet by turning them if needed.



- CARE & MAINTENANCE -

Our Care & Maintenance offers guidance for optimal maintenance of your HAY product. It includes advice and instructions on cleaning and caring for specific materials to prolong the life of your furniture.



Please find our Care & Maintenance guide by scanning the QR code



You can find more relevant information on Two-Colour by scanning the QR code

You can also find the same information here [hay.dk/downloads](https://hay.dk/downloads)





Havnen 1 8700 Horsens Denmark  
+45 4282 0282 / hay@hay.com

29/10/2021

**HAY**