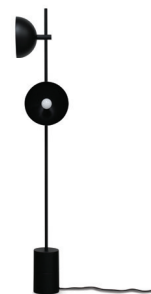


STUDIO FLOOR LAMP

SEATING / TABLES / LIGHTING / OBJECTS

The HANDVÄRK Studio Lamp Series is designed to make a bold design statement. In every variety the pieces stand out and clearly represent the DNA that is recognizable for HANDVÄRK.



DESCRIPTION

The Studio Floor Lamp designed by Laura Bilde for HANDVÄRK has an industrial look that is directly inspired by traditional photo lamps - a photogenic statement piece for any living space.

DESIGNER + YEAR

Laura Bilde 2015

TYPE

Ambient Floor Lamp

PLACEMENT

The lamp is for use in a normal, dry, indoor environment.

MATERIALS

Black powder coated metal frame with pressed shades
Brass details made from solid brass with natural finish.

SPECIFIC INFO

Made in Europe
Warranty: Standard (See Terms & Conditions)

Frame colour change MOQ: 50 pieces

EU Plug
On / Off Switch
2m cord length
Bulbs not included but can be purchased from us.

Standard delivery time: 3-4 weeks
Delivery for special orders or COM items: 8-10 weeks

LAMP RATING

E14
Voltage: 230V
Frequency: 50HZ
Ip rating: IP20
Classification: Class 2
Socket: 2 x e14
Max Watt: 40W

TREATMENT AND CARE

Take care when handling and unpacking the lamp to avoid damage to the lamp. Always keep children away from electrical equipment for their safety. Before replacing bulbs, ensure the power supply is disconnected.

Important: For your safety, if the electrical cable or components are damaged, it should be completely replaced by the manufacturer or other qualified person.

Clean with a soft dry cloth. Always switch off the electricity before cleaning.

HANDVÄRK

VARIATIONS

Black Base with 2 options:

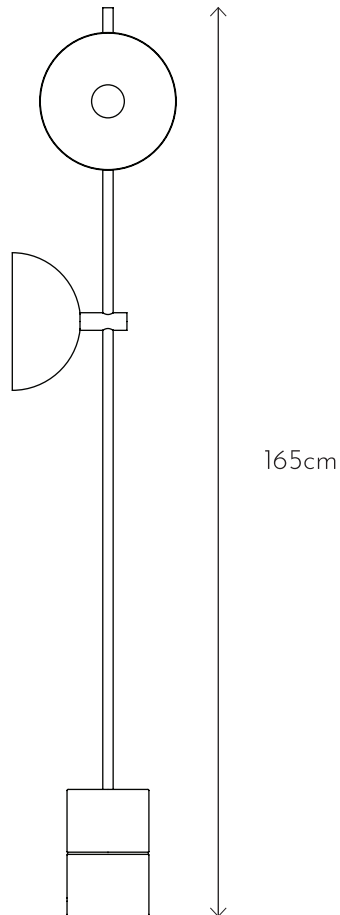
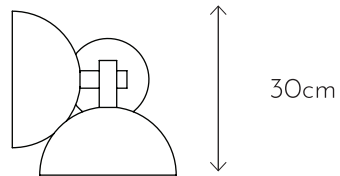


Black Details



Brass Details

DIMENSIONS



GENERAL STANDARDS & CERTIFICATES

CE IP20



HANDVÄRK