

# Sacha Arm Chair



Philippe Malouin | 2024

Designed by Philippe Malouin, Sacha is a fully upholstered arm chair. Visually graphic, Sacha is comfortable yet brutal and geometric with an unexpected twist. The distinctively folded backrest is enhanced by slender, fully upholstered arms.

Sachas back features a subtle inclination, while the backrest offers the perfect resting angle, providing exceptional lumbar support. This chair can seamlessly transition between domestic and commercial settings

## MATERIALS

Upholstered Plywood, Foam, Steel

## PRODUCT ENVIRONMENT

Indoor Use Only

## CONTRACT USE

Yes

## CERTIFICATION

CAL 117-2013, BS 5852 Crib 5, EN 1021-1 EN 1021-11

## WARRANTY

3 years

## COUNTRY OF ORIGIN

New Zealand

## CODE

SAC002

## PRODUCT

Sacha Arm Chair

## CATEGORY

1

## PRODUCT

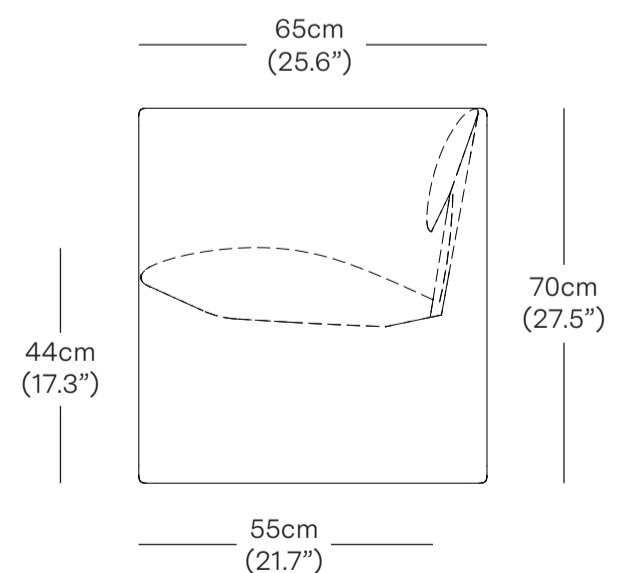
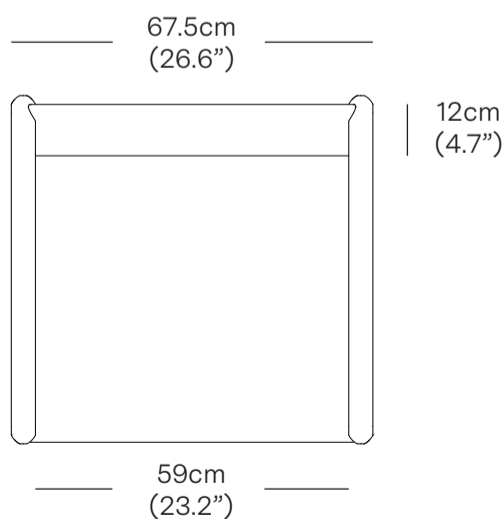
Maharam Mode / Messenger / COM

2

Camira Synergy / Mainline Flax

## PRODUCT WEIGHT

19.0 kg (41.9 lbs)



## PACKAGED DIMENSIONS

L x W x H	Cubage	Weight
Box 1		
70 x 72 x 76 cm	0.38 m3	22.5 kg
27.6 x 28.3 x 29.9in	13.5 ft3	49.6 lbs

COMMODITY CODE

94016100

\* Components drawn in relative scale. Refer to CAD files for accurate drawings.

**Resident**