

# Sacha 2 Seater Sofa



Philippe Malouin | 2024

Designed by Philippe Malouin, Sacha is a fully upholstered sofa, available as either 2 or 3 seater. Visually graphic, Sacha is comfortable yet brutal and geometric with an unexpected twist.

The distinctively folded backrest is enhanced by slender, fully upholstered arms. Sacha's back features a subtle inclination, while the backrest offers the perfect resting angle, providing exceptional lumbar support. This sofa can seamlessly transition between domestic and commercial settings.

## MATERIALS

Upholstered Plywood, Foam, Steel

## PRODUCT ENVIRONMENT

Indoor Use Only

## CONTRACT USE

Yes

## CERTIFICATION

CAL 117-2013, BS 5852 Crib 5, EN 1021-1 EN 1021-11

## WARRANTY

3 years

## COUNTRY OF ORIGIN

New Zealand

## CODE

SAC003

## PRODUCT

Sacha 2 Seater Sofa

## CATEGORY

1

## PRODUCT

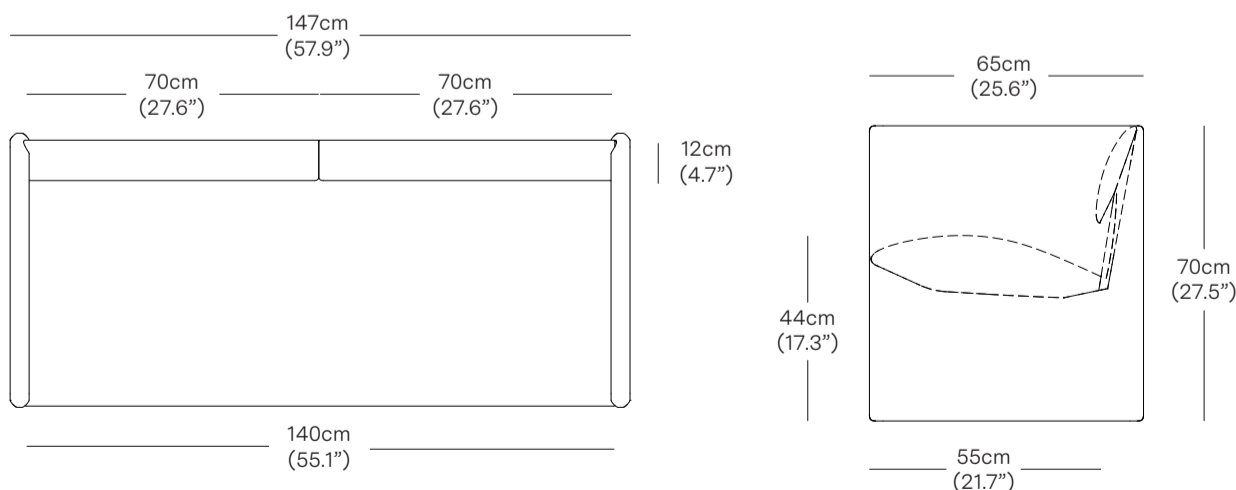
Maharam Mode / Messenger / COM

2

Camira Synergy / Mainline Flax

## PRODUCT WEIGHT

35.0 kg (77.2 lbs)



## PACKAGED DIMENSIONS

| L x W x H             | Cubage               | Weight   |
|-----------------------|----------------------|----------|
| Box 1                 |                      |          |
| 158 x 87 x 96 cm      | 1.18 m <sup>3</sup>  | 91 kg    |
| 62.2 x 30.7 x 37.8 in | 41.8 ft <sup>3</sup> | 200.7lbs |

COMMODITY CODE

94016100

\* Components drawn in relative scale. Refer to CAD files for accurate drawings.

**Resident**