

GUISE

Design by Stefan Diez.

VIBIA

Reference

2260.

Application

Wall Lamps

Installation type

Surface

Description

Vibia presents a wall lamp that integrates the LED light with the glass and making it pass through in such a way that it becomes invisible and then allowing it to appear out of nowhere.

Diffuser

Difusor de vidrio borosilicato transparente

Materials

Profile: Aluminum

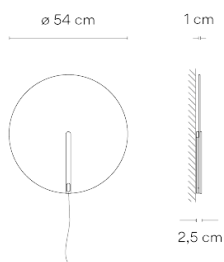
Diffuser: Borosilicate glass

Finish



2260-18 Matt graphite lacquer (ADAPTA RF 9913 WX)

Sketch



Electrical characteristics



Led 3000K CRI >90 871 lm 87 lm/W

Fixture: 445.29 lm 41.23 lm/W

Driver included: CC - Constant Current 100-240V 50/60Hz

Electronic dimming OPTICAL SENSOR

Technical characteristics

- The glass is made of borosilicate. It is typical for the glass to have small air bubbles, some inclusions and tiny scratches. These do not affect the quality or the resistance of the glass.

Physical characteristics

1 Box / 0.00 x 0.00 x 0.00 m. / Vol. 0.0428 m³ /

Gross weight 7.0 kg. / Net weight 4.0 kg.

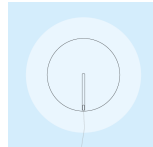
Installation and assembly

Please, see the installation manual

Light distribution

General lighting

Lamp for general lighting that equally distributes the light in all directions.



Photometric data

Efficiency : 1

Coordinate system : CG

Total flux : 445.29 lm

Maximum value : 188.65 cd/klm

Light position : C=0.00 G=85.00

Isolux : Isolux (Floor)

Light position :

X=0.00ft Y=0.00ft Z=8.20ft

Certificates



GUISE

Design by Stefan Diez.

VIBIA

Reference

2262.

Application

Wall Lamps

Installation type

Surface

Description

Vibia presents a wall lamp that integrates the LED light with the glass and making it pass through in such a way that it becomes invisible and then allowing it to appear out of nowhere.

Diffuser

Difusor de vidrio borosilicato transparente

Materials

Profile: Aluminum

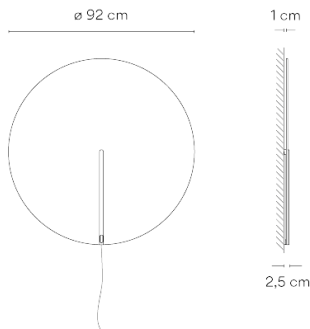
Diffuser: Borosilicate glass

Finish



2262-18 Matt graphite lacquer (ADAPTA RF 9913 WX)

Sketch



Electrical characteristics



Led 3000K CRI >90 1504 lm 87 lm/W

Fixture: 897.91 lm 40.45 lm/W

Driver included: CC - Constant Current 100-240V 50/60Hz

Electronic dimming OPTICAL SENSOR

Technical characteristics

- The glass is made of borosilicate. It is typical for the glass to have small air bubbles, some inclusions and tiny scratches. These do not affect the quality or the resistance of the glass.

Physical characteristics

1 Box / 0.00 x 0.00 x 0.00 m. / Vol. 0.1081 m³ /

Gross weight 16.5 kg. / Net weight 11.5 kg.

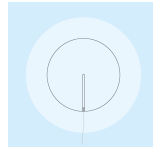
Installation and assembly

Please, see the installation manual

Light distribution

General lighting

Lamp for general lighting that equally distributes the light in all directions.



Photometric data

Efficiency : 1

Coordinate system : CG

Total flux : 897.91 lm

Maximum value : 188.65 cd/klm

Light position : C=0.00 G=85.00

Isolux : Isolux (Floor)

Light position :

X=0.00m Y=0.00m Z=2.50m

Certificates

