



PRODUCT FACT SHEET > FURNITURE > **COVENT CHAIR**



COVENT CHAIR

The Covent Dining Chair displays a comforting simplicity, a warm embrace suitable for an evening around the dinner table or curled up with a book. Inspired by the geometry of Mondrian's line work, its slim frame shows an asymmetry that defies its strength, presenting a floating cocoon of soft fabrics or leather. A chair that has paired traditional craftsmanship with a truly modern form.

About the Designer ARDE

The work of ARDE displays a paired back aesthetic and holistic approach to ideation and production. Since 2003 he has worked for some of the worlds leading industrial design and furniture companies, further refining his approach to design. This lead to ARDE establishing their own studio in 2014 with their work already featured in the collections of prominent companies throughout Europe and beyond.

ITEM NO

VARIATION

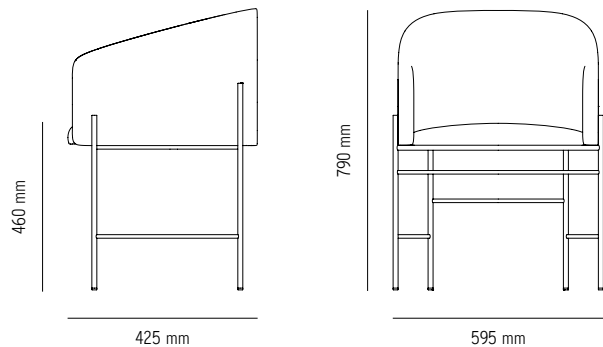
40600	Costumers Own Material (witout fabric)
40602	Light Grey w. Metallic White Frame (standard fabric)
40603	Dark Grey w. Iron Black Frame (standard fabric)
40601	Fabrics in Category A
40601	Fabrics in Category B
40601	Fabrics in Category C
40601	Haakon 2 (HK) from Kvadrat (KV)



PRODUCT FACT SHEET > FURNITURE > COVENT CHAIR

SPECIFICATION

PRODUCT NAME	COVENT CHAIR
DESIGNER	ARDE DESIGN STUDIO
YEAR	2017
CATEGORY	FURNITURE
TYPE	CHAIR
MATERIAL	POWDER COATED STEEL AND PLYWOOD CORE WITH COLD MOULDED FOAM AND UPHOLSTERY IN SELECTED MATERIAL
COLOR /VARIATION	IRON BLACK OR METALLIC WHITE FRAME WITH UPHOLSTERY IN SELECTED MATERIAL
DELIVERY	4-6 WEEKS
PRODUCT DIMENSIONS	H: 790 X W 595 X 425 MM SH: 460 MM H: 890 X W: 695 X D: 525 MM
PACKAGING DIMENSIONS	EU
CONTRY OF ORIGION	1
MASTERPACKAGING	



CLEANING INSTRUCTIONS/ MAINTANCE & CARE

Visit our website at www.newworks.dk/maintenance-care/ for the cleaning and maintenance instructions for your chosen textile.

SAFTEY PRECAUTIONS/ ATTENTION

Please read the instructions carefully and retain them for future reference. New Works Aps is not responsible for any faults or damages caused by not following the instructions correctly. Do not modify the product in any way. Keep your chair out of direct sunlight. Colours will fade and seams will weaken when exposed to direct sunlight. The chair is only intended for indoor use.



SELECTED VARIATIONS

IRON BLACK, HAAKON



METALLIC WHITE, MEMORY 2



PRE-APPROVED FABRICS

Fabric Supplier	Category A	Category B	Category C	Frame Option
Kvadrat (KV)	Remix 2 (RE) Umami (UM)	Basel (BA) Harald 2 (HR) Hero (HE) Rime (RI)	Divina Melange 2 (DM) Divina MD (MD) Hallingdal 65 (HA) Memory 2 (ME) Outback (OU) Steelcut Trio 2 (ST)	Iron Black (BL) Metallic White (WH)
Febrik (FE)		Uniform Melange (UM)	Dot (DO) Drop (DR) Gentle (GE) Sprinkles (SP) Twill (TW)	

To view the different Fabric Colour Code/Name please visit the fabric suppliers website, see physical color card or sample book. Color card or/and sample book can be ordered directly from the fabric supplier or from New Works (info@newworks.dk) against payment.

Kvadrat www.kvadrat.com

Febrik www.febrik.com

How to find the right code (Complete Item Number)

1. Item No	2. Fabric Supplier	3. Fabric Code	4. Fabric Colour Code/Name	5. Frame Option
---------------	-----------------------	-------------------	-------------------------------	--------------------

Example for Covent Chair with Memory fabric in color 216 from Kvadrat with frame in Metallic White (picture above)

1. 40601 2. KV 3. ME 4. 216 5. WH | **Complete Item Number** 40601 KV ME 216 WH