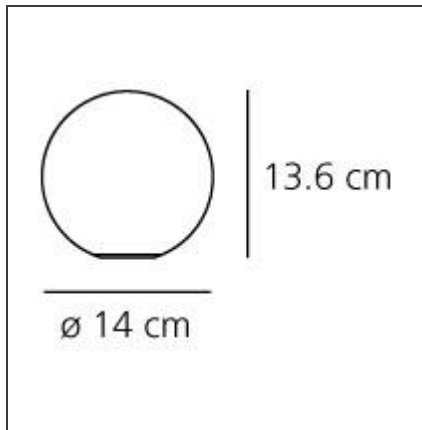


Dioscuri table 14



IP20    

TECHNICAL DRAWINGS



DESIGN BY

Michele De Lucchi

DESCRIPTION

Materials: base in thermoplastic resin, acid-etched blown glass diffuser.

FEATURES

Article Code:	1034010A	Material:	blown glass,
Colour:	White	Series:	polycarbonate, steel
Installation:	Table	Area contract:	Design
Environment:	Indoor	Emission:	Residential Diffused

DIMENSIONS

Height:	cm 13.6	Glow Wire Test:	850
----------------	---------	------------------------	-----

NOT INCLUDED SOURCES

Category:	HALO	Color Rendering:	100
Number:	1	Color temperature (K):	2800K
Watt:	33W	Class:	A
Lbs:	Qt14		
Socket:	G9		

ALTERNATIVE SOURCES

Category:	LED
Number:	1
Watt:	2,3W
Delivered lumens output (lm):	200lm
Type:	2
Socket:	G9
Class:	A

LUMINAIRE

Watt:	33W	Delivered lumens output (lm):	660lm
Voltage:	220V-240V	CCT:	3000K
		Efficiency:	89%
		Efficacy:	14lm/W
		CRI:	99
		Dimmer Typology:	-
		Dimmable Typology:	-